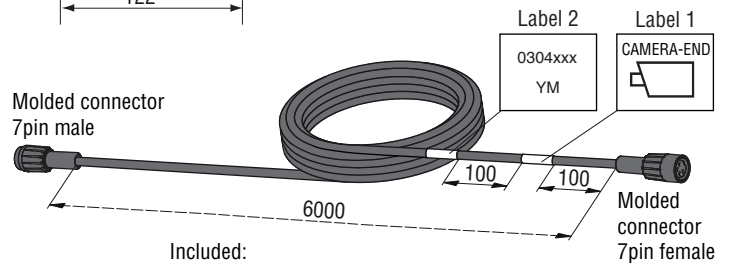
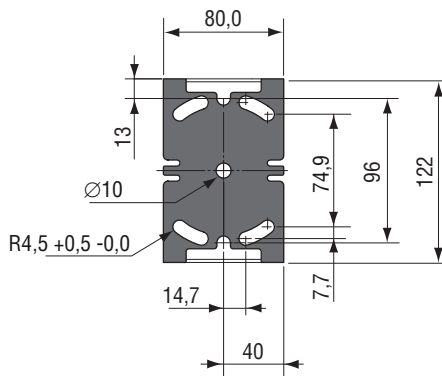
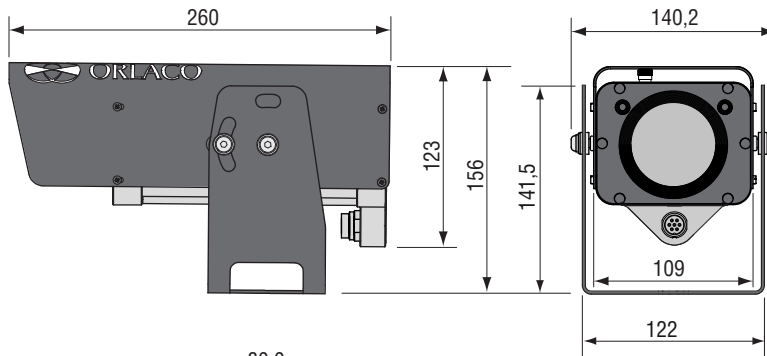


Product Data



Dimensions



Included:
Cable 6,0m m7M m7F
Art. no. 0304410
+
Cable 2,0m m7M m7F
Art. no. 0304260

Units in mm

TECHNICAL DATA

Camera AFZ NTSC Serial

Camera AFZ NTSC Serial RS485

	Description
Article number	0103561 Camera AFZ NTSC Serial RS232
Article number	0113561 Camera AFZ NTSC Serial RS485
	Sensor
CCD sensor	1/4" type Super HAD CCD II.
Effective pixels	± 480000 pixels (NTSC).
Hor. resolution	670 TV lines.
Lens	40x optical zoom f = 3,06 mm to 122,4 mm, F1.6 to F4.6, 12x digital.
Lens speed	From wide optical to tele optical 4,0 sec. (F1,6 to F=4,5 zoom movement speed).
Angle of view (H)	60° (wide) 1,6° (tele).
Min. working distance	10 mm (WIDE end), 1500 mm (TELE end).
Min. illumination	0,6 Lux (1/60 sec), 0,04 Lux (1/4 sec). 0 lux mode.
S/N ratio	50 dB or more.
	Electrical
Power input	Cable between camera and power supply < 50 m 12-24V/DC, > 50 m 18-24V/DC.
Power consumption	Temperature <0°C (Heating on): 7,2 W & >0°C (Heating off): 3,6 W.
Communication	Communication via serial interface through pin nr. 5 and 6 of the 7 poles connector, Visca-, Pelco-D protocol (RS232 or RS485) 9,6 Kbps, 8 bit, 1 stop bit, no parity.
Presets	128 presets Visca and 255 presets Pelco-D.
Cable	Included: Cable 6,0m m7M m7F; Art. no. 0304410.
	Mechanical
Construction	Stainless steel QS304, mounting parts and sun cover, anodised aluminium housing, suitable for mobile applications with shocks and vibrations. Corrosion proof housing according to IEC 60068-2-52 salt mist, cyclic.
Ingress protection	IP 68 according to IEC 60529 (25 m under water), dry-nitrogen filled, 1,4 Bar overpressure.
Bracket	Standard Alu bracket, including bolts, nuts and washers. Suitable for mounting overhead and standing.
Operating temperature	-40°C to +85°C.
Glass	Chemically hardened lens glass, 7x stronger than ordinary glass, scratchproof surface, following "VII Flachgläser"(German std.).
Weight	2,6 kg.
	Certification
Green Passport	All materials are compliant to Green Passport requirements according IMO resolution MEPC.197(62) as adopted on 15 July 2011 (Maritime sector: International Maritime Organization concerning the functions of the Marine Environment Protection Committee).
Serial commands	See Orlaco Visca protocol manual; IM0973300 .
Installation	See Installation Manual; IM0973112 .

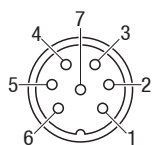
Electrical connections

Solder side of 7p male socket

RS232

RS485

1 = Coax core	(Video signal)	(Video signal)
2 = Coax shielding	(Video GND)	(Video GND)
3 = Red	(12...24V/DC)	(12...24V/DC)
4 = Black	(0V)	(0V)
5 = Orange	(Serial TX)	B (inv.)
6 = Yellow	(Serial RX)	A (non-inv.)
7 = Grey	(Not connected)	(Not connected)
Shielding	GND	GND



Solder side
7P Male socket

All data subject to change without notice. All dimensions are for commercial purpose only.
The camera/display systems from Orlaco comply with the latest CE, ADR, EMC and mirror-directive regulations, where applicable.
All products are manufactured in accordance with the ISO 9001 quality management system, ISO/TS 16949 quality automotive, ISO 14001 environmental management systems and all Ex products with the IECEx scheme and ATEX directives, where applicable.

